

CABLE 364 RF: RF CABLE ASSEMBLY, I-PEX MHF 4 PLUG + SMA R/A BULKHEAD JACK + 0.81 MM CABLE - 6GHz

**SPECIFICATIONS:**

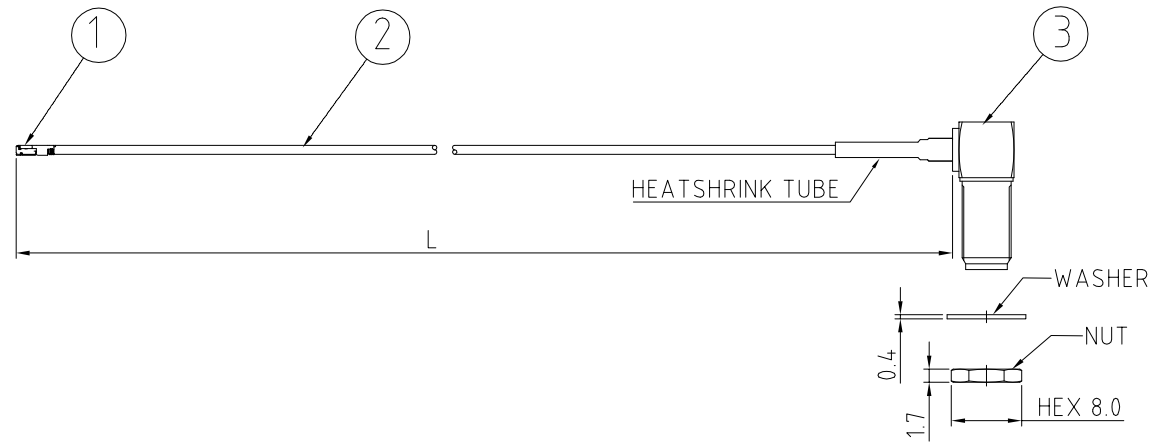
1. I-PEX MHF 4 PLUG, P/N: 20448-001R-081
2.  $\phi$ 0.81MM COAXIAL CABLE, COLOR: GRAY
3. SMA RIGHT ANGLE BULKHEAD JACK, P/N: RFCT-SMA066-F08

**NOTES:**

1. THE ORIENTATION OF CONNECTORS ON DRAWING IS FOR REFERENCE ONLY, IF THE ORDER IS LEFT BLANK THE CONNECTOR WILL NOT HAVE FIXED ORIENTATION.
2. FIXED ORIENTATION IS SUGGESTED FOR CABLE LENGTH 25MM TO 100MM. PLEASE SPECIFY THE FIXED ORIENTATIONS FROM THE ORDER CODE (F1, F2, ETC)
3. CONTACT GRAD CONN IF THE ORIENTATION YOU REQUIRE IS NOT SHOWN.
4. WORKING FREQUENCY RANGE: DC - 6GHz.
5. OPERATING TEMPERATURE: -40°C TO +90°C
6. IMPEDANCE: 50 OHM

**USAGE PRECAUTIONS: CABLES USING 'MICRO' COAX ARE DELICATE:**

- (i) HANDLE WITH CARE.
- (ii) DO NOT TWIST; APPLY EXCESSIVE FORCES OR SHARP BENDS TO THE CABLE. DO NOT FORCEFULLY DEFORM WIRES.
- (iii) CONSULT CONNECTOR MANUFACTURER'S DATASHEETS FOR DETAILED NOTES ON HANDLING INSTRUCTIONS.



**HOW TO ORDER**

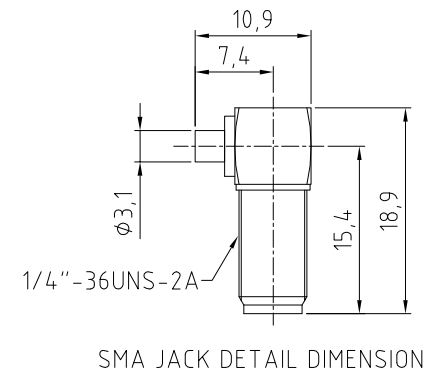
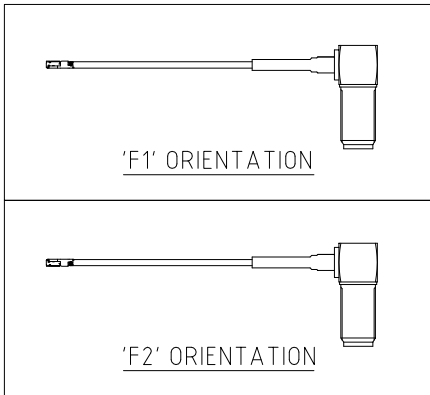
CABLE 364 RF - XXX - XX - X - 1

"L" LENGTH IN MM  
 eg: 100MM = 100  
 (MIN. 025-MAX.400)  
 STANDARD = 100, 150, 200)  
 Tolerance: <50mm :  $\pm$ 2mm.  
 51-200mm:  $\pm$ 5mm.  
 201-400mm:  $\pm$ 7mm.

CABLE SIZ:  
 1 =  $\phi$ 0.81MM CABLE, COLOR: GRAY

WASHER AND NUT OPTIONS:  
 BLANK = SEPERATELY PACKED (STANDARD)  
 A = ASSEMBLED WITH CONNECTOR

ORIENTATION OPTIONS:  
 BLANK = DOES NOT HAVE A FIXED ORIENTATION  
 F1 = OPPOSITE ORIENTATION (L=25-220MM)  
 F2 = SAME ORIENTATION (L=25-220MM)  
 (SEE NOTES 1, 2, 3 AND DIAGRAMS FOR MORE INFORMATION)



Scale: NTS	THIRD ANGLE	Unstated X .XX .XXX ANGLES	Tolerances: N/A N/A N/A N/A	Material SEE NOTE
Drawn: NYW				
App'd: XXX	Title CABLE ASSEMBLY	NOT TO SCALE		
Date: 12 NOV. '19	Revision: 1.0	Unit: mm		



www.gradconn.com

THIS DRAWING IS CONFIDENTIAL AND MUST NOT BE COPIED OR DISCLOSED WITHOUT WRITTEN CONSENT

Type: Cable 364 RF
CABLE 364 RF
Drawing Number:
Sheet 1 of 1
Drawing © E and O E